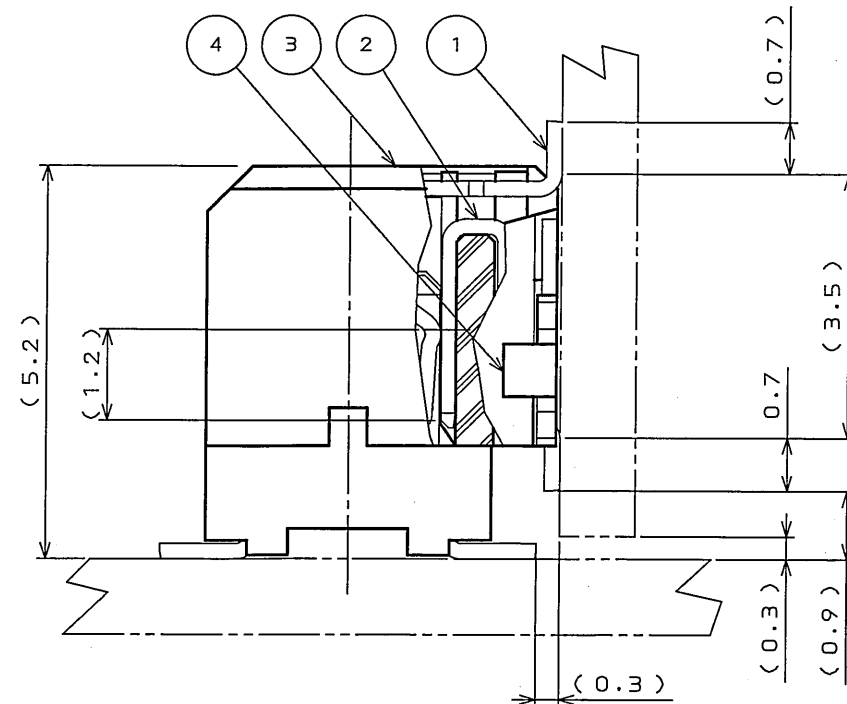
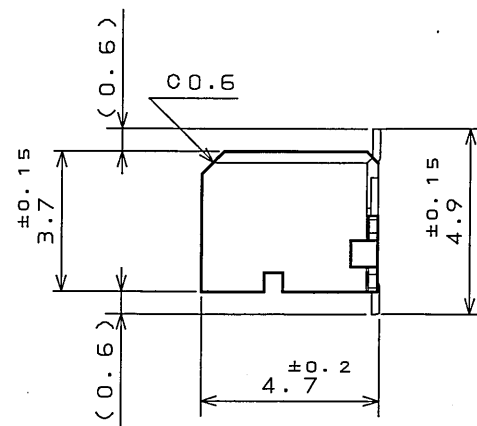
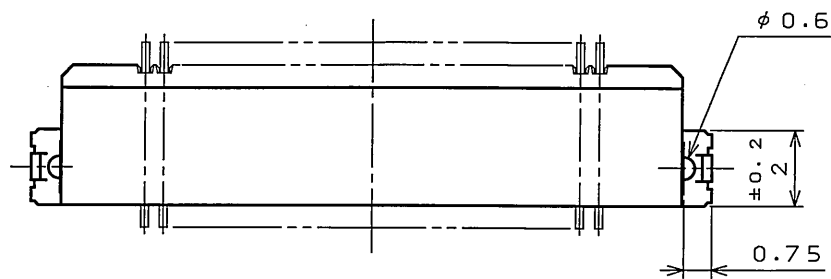
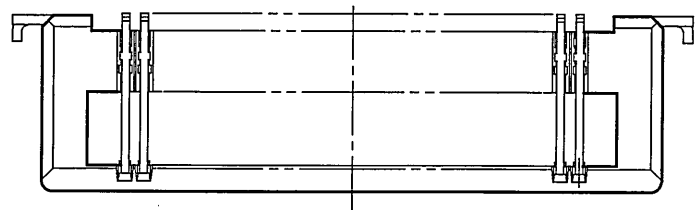


SJ100432
(DRAWING NO.)

| 版数 REV. | 年月日 DATE | DCN NO. | 変更内容 DESCRIPTION | 製図 DR. | 担当 CHK. | 査閲 APPD. | 承認 APPD. |
|------------|-------------|---------|---------------------|-----------|------------|-------------|-------------|
| 2 | 10.Mar.2004 | 054574 | ADDED ITEMS | | T.SHIODA | K.Kawase | S.Kashiwagi |



MATED CONDITION (REF.)

TABLE-1

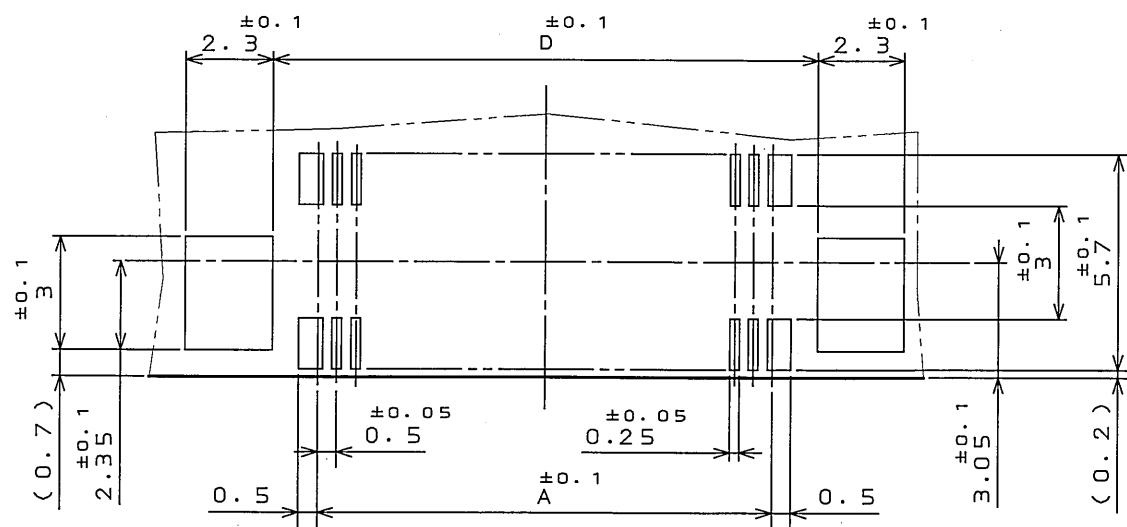
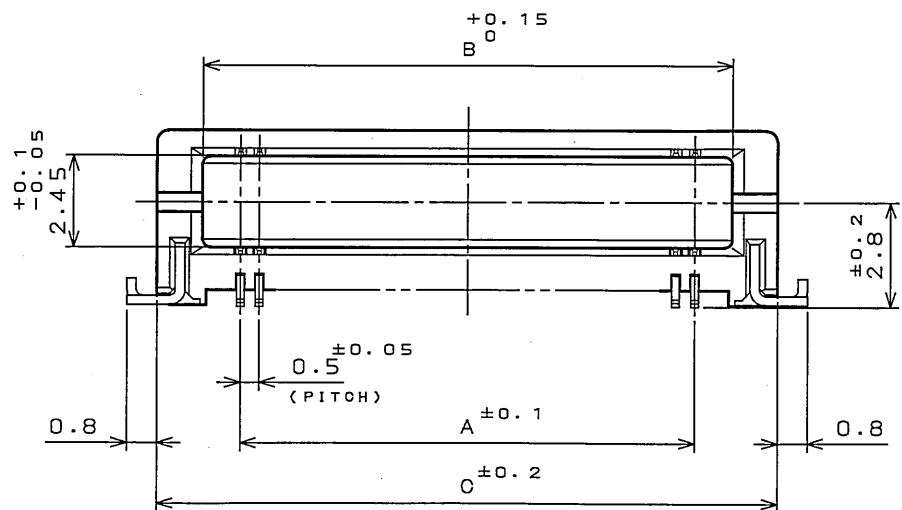
| NO. OF CONTACTS (N) | A | B | C | D |
|---------------------|------|------|------|------|
| 22 | 5.0 | 7.0 | 9.4 | 7.4 |
| 30 | 7.0 | 9.0 | 11.4 | 9.4 |
| 40 | 9.5 | 11.5 | 13.9 | 11.9 |
| 50 | 12.0 | 14.0 | 16.4 | 14.4 |
| 60 | 14.5 | 16.5 | 18.9 | 16.9 |
| 70 | 17.0 | 19.0 | 21.4 | 19.4 |
| 80 | 19.5 | 21.5 | 23.9 | 21.9 |
| 120 | 29.5 | 31.5 | 33.9 | 31.9 |

TABLE-2

| FINISH | CONTACT AREA | TERMINAL AREA |
|--------|------------------------------|------------------------|
| A1E | GOLD (0.1μm MIN) OVER NICKEL | GOLD FLASH OVER NICKEL |

NOTE1. COPLANARITY IS AS PER APPLICABLE SPECIFICATION.

1. 端子の振れ規定は適用仕様書による。



APPLICABLE P.C.B. DIMENSION (REF.)

| 符号 NO. | 名称 DESCRIPTION | 個数 QTY. | 材料 MATERIAL | 仕上 FINISH | 備考 REMARKS |
|-----------|-------------------|------------|------------------|---------------------------|----------------------|
| 4 | HOLD DOWN | 2 | COPPER ALLOY | (LEAD FREE) TIN/TIN ALLOY | |
| 3 | INSULATOR | 1 | GLASS FILLED PPS | | UL94V-0 COLOR: BLACK |
| 2 | CONTACT B | N/2 | PHOSPHOR BRONZE | TABLE-2 | |
| 1 | CONTACT A | N/2 | PHOSPHOR BRONZE | TABLE-2 | |

| 仕様書 (SPECIFICATION) | | 第1版 (ORIGINAL DATE) | | 尺度 (SCALE) | | シリーズ (SERIES) | |
|----------------------------|--|---------------------|--|--|--|--------------------|--|
| JACS-1385-* | | 4.Dec.2003 | | 5:1 | | WR | |
| 公差 (GENERAL TOLERANCE) | | 製図 (DRAWING) | | 名称 (TITLE) | | | |
| 寸法 (DIMENSION) 角度 (ANGLES) | | S.MIURA | | WR-*P-HF-HD-A1E | | | |
| . ±0.8 X° ± | | 担当 (CHECK) | | JAE CONNECTOR DIV. PROPRIETARY. COPYRIGHT (C) 2003, JAPAN AVIATION ELECTRONICS INDUSTRY, LTD. | | | |
| .X ±0.4 X°X' ± | | T.SHIODA | | | | | |
| .XX ±0.1 | | 査閲 (APPD.) | | | | | |
| .XXX ± | | 承認 (APPD.) | | 重量 (WEIGHT) | | 図面番号 (DRAWING NO.) | |
| | | S.KASHIWA@I | | | | SJ100432 | |

DOF-0-212E(03.08)

LEAD FREE この製品は鉛フリー品です

JAE CONNECTOR DIV. PROPRIETARY.
COPYRIGHT (C) 2003, JAPAN AVIATION ELECTRONICS INDUSTRY, LTD.

SIZE A3

版数 (REV.)